

ORDERED BY:

Company Name: _____

Address: _____

Tel No: _____

Email: _____

Order No: _____ Your Ref _____

Delivery Date Request: _____

SITE CONTACT:

Company Name: _____

Delivery Address: _____

Post Code: _____

Tel No: _____

DIMENSIONS

Overall Frame Width mm _____

Overall Frame Height mm _____

25MM ADD ON

Top	Middle	Bottom
-----	--------	--------

COLOUR OPTIONS

Standard Lead Times

Single Colours

RAL 9910 Hippca White

RAL 7016 Anthracite Grey Matt

Dual Colour Anthracite Grey/White (TBA)

Extended Lead Times (Any other RAL colour)

Outside RAL _____

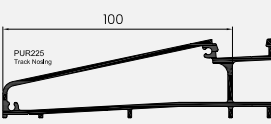
Inside RAL _____

Marine Grade (Coastal Regions)

CILL OPTIONS

Cill requirements included in the overall height

100mm Track Noising



Cill pressing No cill required

2500MM² TRICKLE VENT

Trickle Vent through 30mm add on

Colour _____ Quantity _____

GLAZING OPTIONS

Glazing 28mm Toughened Low E Argon Filled Black Warm Edge Spacer as Standard

Unglazed

28mm Glazing 1.1 U-value

44mm Triple Glazing 0.6 U-value

Laminated 6.8mm outer DOC Q

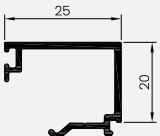
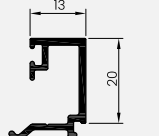
HARDWARE OPTIONS

White	Handle in/out
Black	Handle Internal only
Satin	Lift & slide option

BEAD OPTIONS

28mm Square Bead

44mm Triple Glazing Square Bead

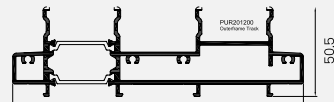



BLINDS

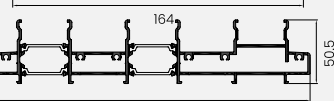
Manual Cord	Solar Powered	Colour _____
Manual Slider	Electric Powered	_____

BOTTOM TRACK

Double Track



Triple Track



SIZE LIMITATIONS

Size limitations for each type of door vary. The following schedule is an indication of the PURE Life & Slide Door capabilities.

- Minimum frame height = 1900mm
- Maximum frame height = 3000mm
- Minimum door Sash height = 1816mm
- Maximum door Sash height = 2916mm
- Minimum door Sash width = 800mm
- Maximum door Sash width = 3005mm
- Maximum door Sash weight = 300kg Heavy Duty
- Width to height ration 1:2.5 maximum

Example: A door sash width of 900mm allows a maximum sash door height of 2250mm.
A door sash width of 1150mm allows a maximum sash door height of 2875mm.

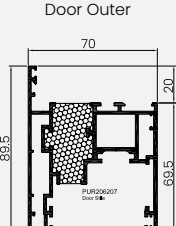
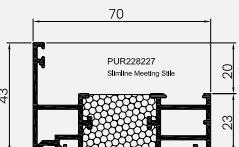
DOOR FRAME OPTIONS

Slimline Meeting Suite (Available in Double & Triple Track options)

Door Outer

Slide Only

Or Lift & Slide

SKETCH YOUR DOOR o = Fixmo x = Sliding

--	--	--	--	--	--

NOTES:

PART L - It is your responsibility to order the correct Glazing Specification which is specific to your project to meet current building regulations.

PART F AND O - It is your responsibility to order the correct number of Trickle vents which will give the required room ventilation to each finished product to meet current building regulations.