

# Flat Fixed Rooflight

## Standard Stock Size 1000 x 1000mm

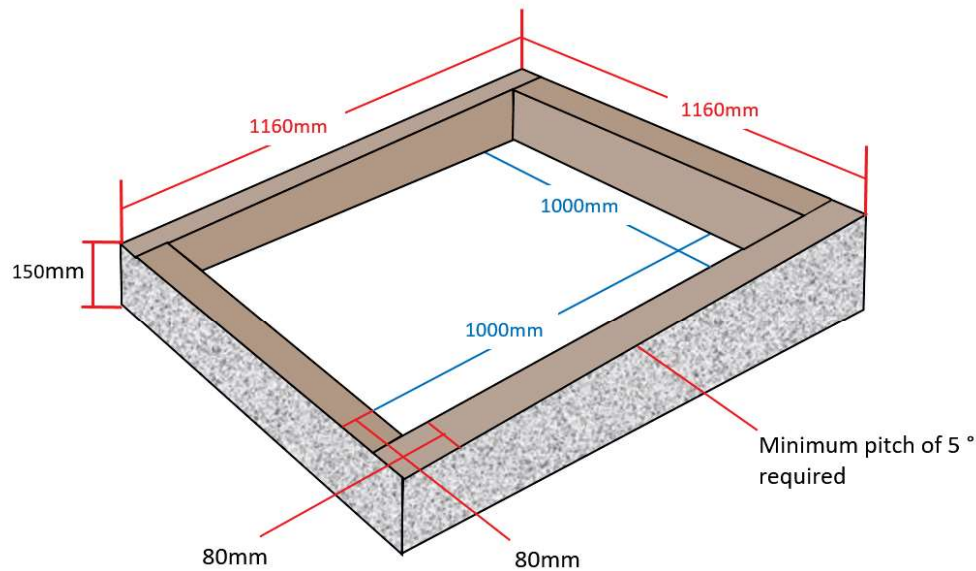
(All our sizes are internal timber to timber)

### Kerb/Upstand Sizes (by others)

**Internal Kerb Upstand** Size 1000mm x 1000mm

**External Kerb/Upstand** Size 1160mm x 1160mm

**Kerb/Upstand thickness 80mm (including weathering)**

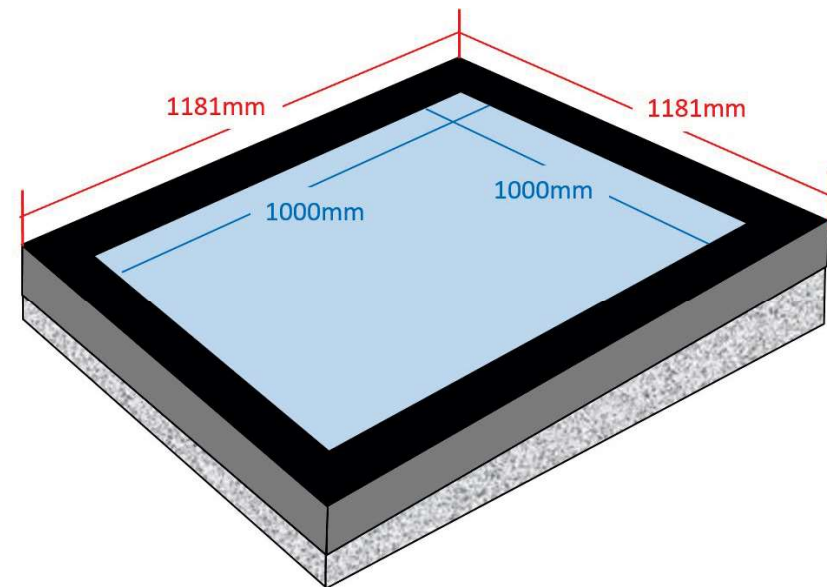


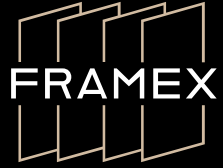
### Fixed Rooflight Sizes

**Internal Opening Size** 1000mm x 1000mm

**External Frame Size** 1181mm x 1181mm

**Frame Height** 119mm





# Flat Fixed Rooflight

## Standard Stock Size 1000 x 1500mm

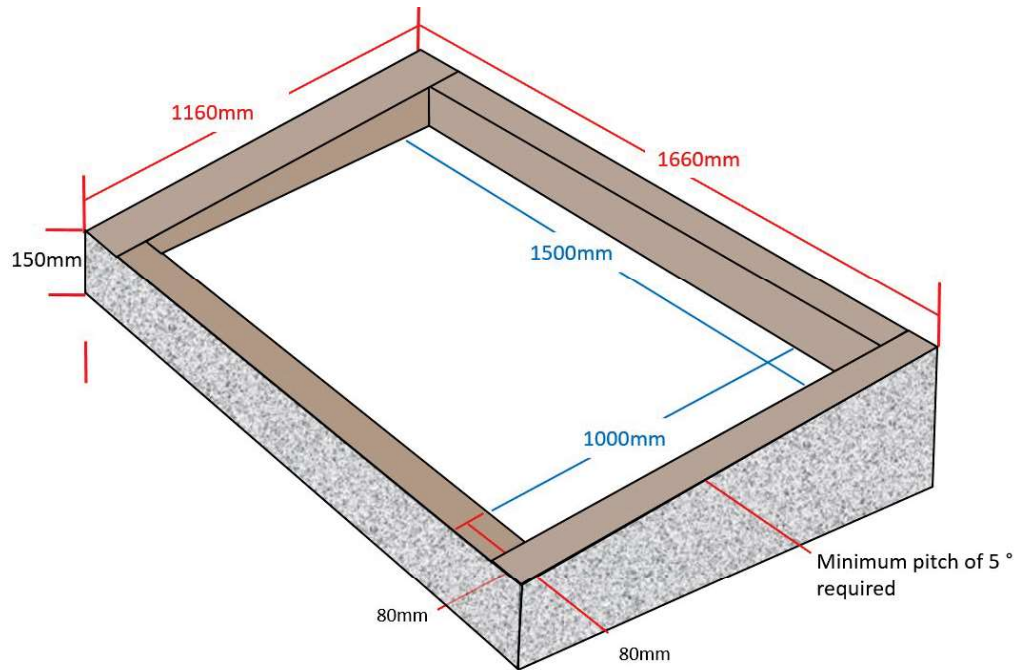
(All our sizes are internal timber to timber)

### Kerb/Upstand Sizes (by others)

**Internal Kerb Upstand** Size 1000mm x 1500mm

**External Kerb/Upstand** Size 1160mm x 1660mm

**Kerb/Upstand thickness 80mm (including weathering)**

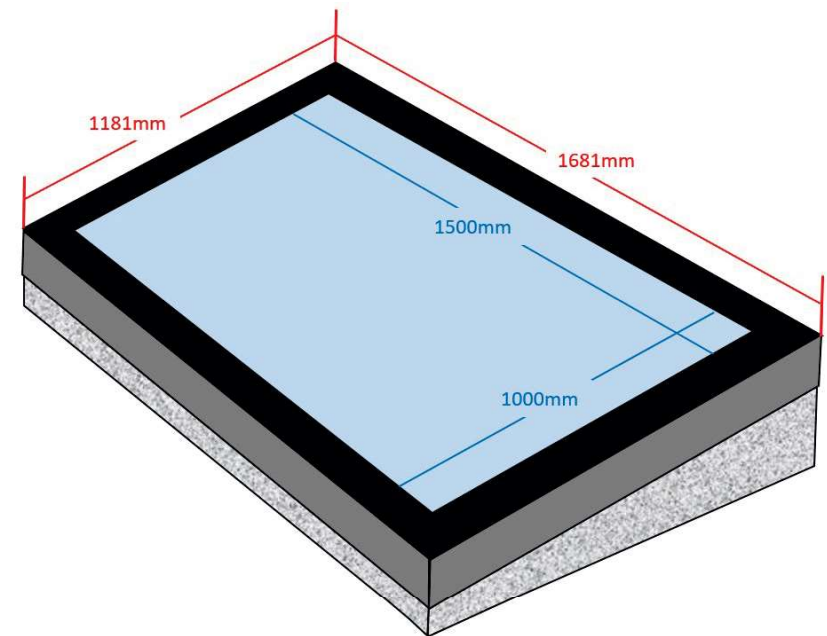


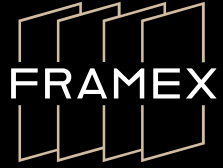
### Fixed Rooflight Sizes

**Internal Opening Size** 1000mm x 1500mm

**External Frame Size** 1181mm x 1681mm

**Frame Height** 119mm





# Flat Fixed Rooflight

## Standard Stock Size 1000 x 2000mm

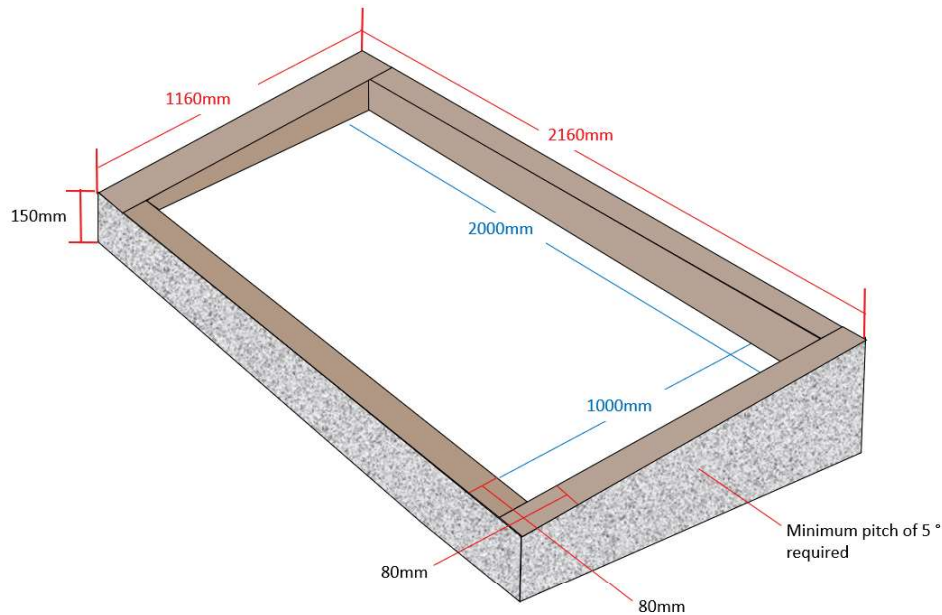
(All our sizes are internal timber to timber)

### Kerb/Upstand Sizes (by others)

**Internal Kerb Upstand** Size 1000mm x 2000mm

**External Kerb/Upstand** Size 1160mm x 2160mm

**Kerb/Upstand thickness 80mm (including weathering)**

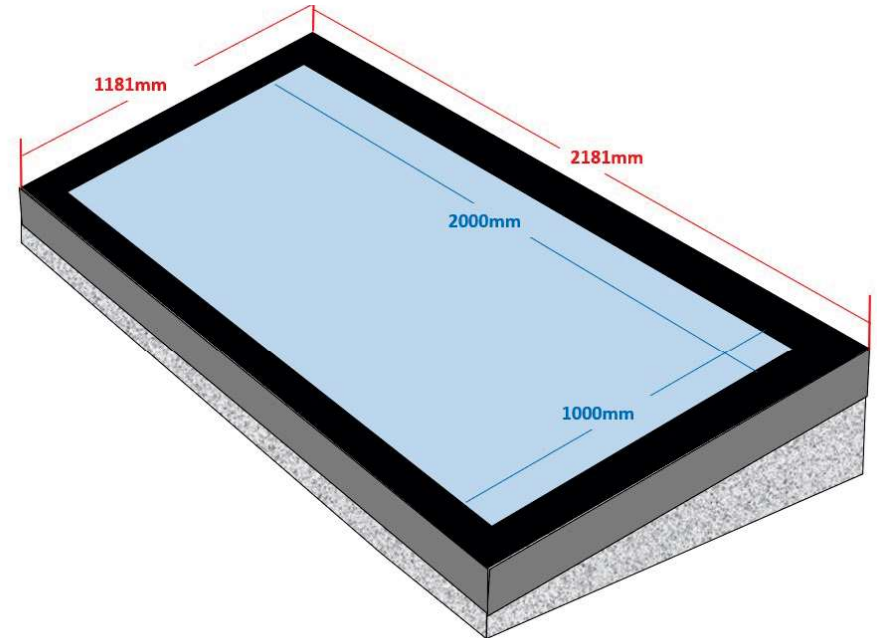


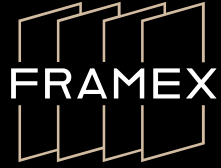
### Fixed Rooflight Sizes

**Internal Opening Size** 1000mm x 2000mm

**External Frame Size** 1181mm x 2181mm

**Frame Height** 119mm





# Flat Fixed Rooflight

## Standard Stock Size 1000 x 2500mm

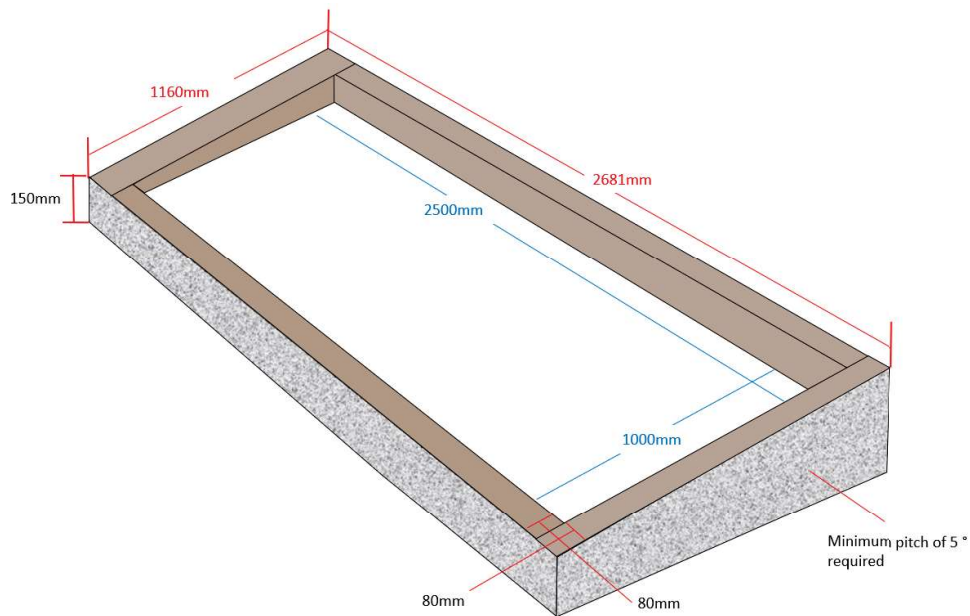
(All our sizes are internal timber to timber)

### Kerb/Upstand Sizes (by others)

**Internal Kerb Upstand** Size 1000mm x 2500mm

**External Kerb/Upstand** Size 1160mm x 2660mm

**Kerb/Upstand thickness 80mm (including weathering)**



### Fixed Rooflight Sizes

**Internal Opening Size** 1000mm x 2500mm

**External Frame Size** 1181mm x 2681mm

**Frame Height** 119mm

