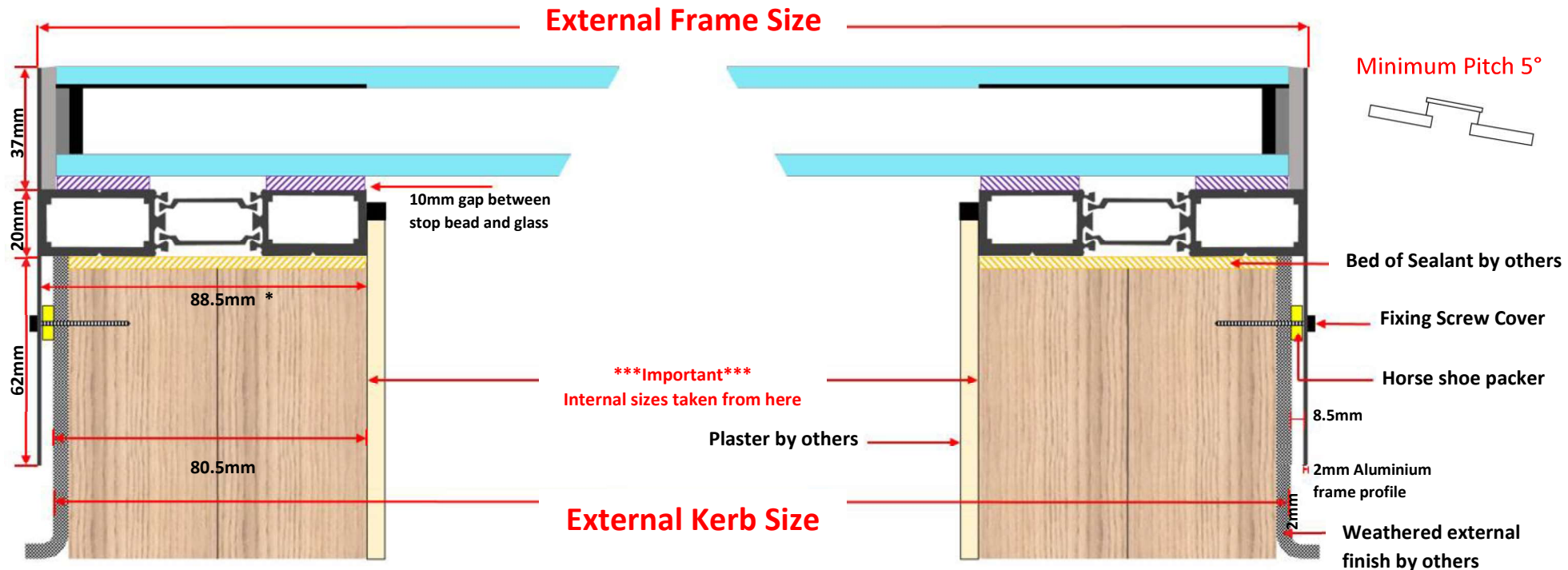


Flat Fixed Rooflight Installation Guide

TECHNICAL

Manufactured to
BS EN – 12150
BS EN -1270

Fixed Flat Thermal Rooflight Typical Installation Guide

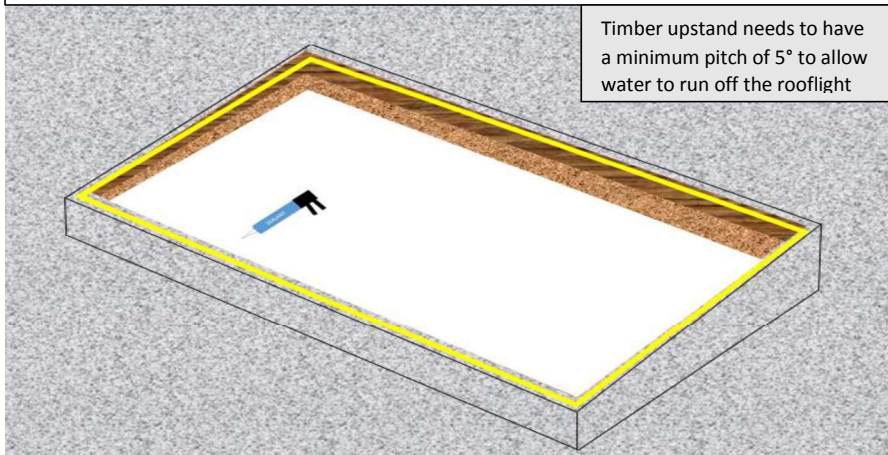


* If finished kerb/upstand is wider than 88.5mm an extended border will be required to cover kerb/upstand (call office to discuss)

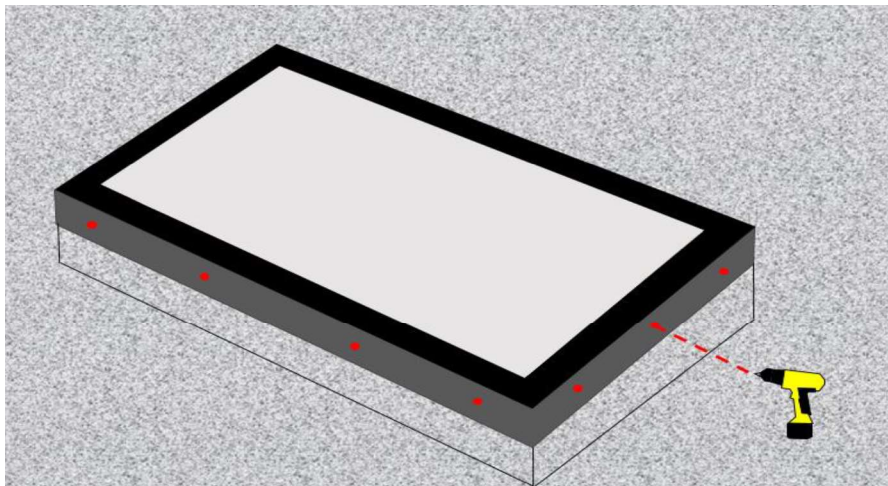
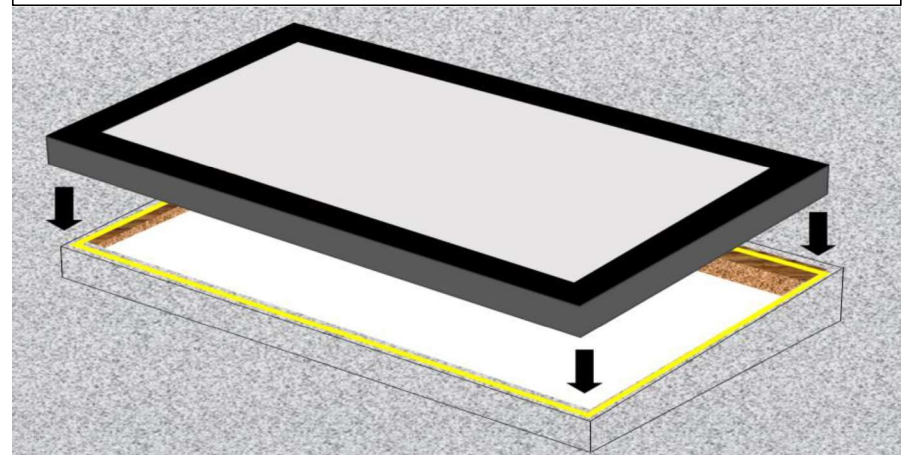
For illustrative Purposes only

Flat Fixed Rooflight Installation Guide

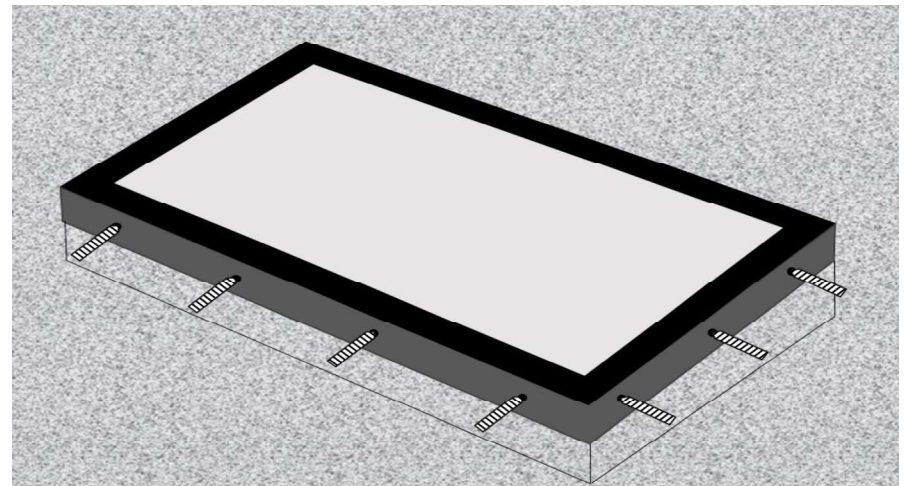
- 1) Apply a thick bead of silicone all the way around the top of the timber upstand/kerb



- 2) Position and lower the Rooflight frame over the top and side of the upstand/kerb



- 3) Pre drill fixing holes through aluminium and timber upstand/kerb at 100mm from each corner and then at regular intervals.



- 4) Secure fixing screws with horse shoe packers and finishing caps continuously all the way around securing the aluminium frame in place.