



Tel: 01706 587 836 | Web: framexuk.com

Address: Shawclough Road, Waterfoot, Rossendale, Lancashire, BB4 9JZ

WINDOWS

COMPLETE & EMAIL TO: ORDER/QUOTE info@framexuk.co.uk

ORDERED BY:	SITE CONTACT:
Company Name: _____	Contact Name: _____
Address: _____	Delivery Address: _____
Tel No: _____	Post Code: _____
Email: _____	Tel No: _____
Order No: _____ Your Ref _____	
Delivery Date Request: _____	

PLEASE NOTE:

- All opening sashes are internally glazed.
- All fixed lights are externally glazed.
- Unless otherwise stated.

NOTES:



CILL OPTIONS

100mm Stubbs 190mm

150mm No Cill

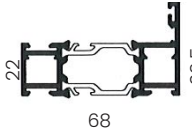
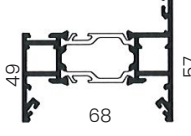
BEAD OPTIONS

28mm Square Bead 44mm Triple Glazing Square Bead

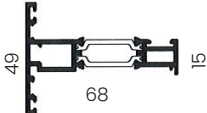



WINDOW SASH/OUTER FRAME

Slim Outerframe Deep Outerframe

Sash Vent



GLAZING OPTIONS

Glazing 28mm Toughened Low E Argon Filled Black Warm Edge Spacer as Standard

Unglazed

28mm Glazing

44mm Triple Glazing

SBD Laminated 6.8mm outer

COLOUR OPTIONS

Standard Lead Times Single Colours

RAL 9910 Hippca White

RAL 7016 Anthracite Grey Matt

Dual Colour Anthracite Grey/White

Extended Lead Times (Any other RAL colour)

Outside RAL _____

Inside RAL _____

Marine Grade (Coastal Regions)

HARDWARE OPTIONS

Handle Colour

White Black Satin

EXTRAS

90 Degree Corner Post

Adjustable Bay Pole

68mm Coupler

All windows are viewed from outside. All windows are shootbolt locking.

Width _____

Height _____

Mullion _____

Quantity _____

Trickle Vent Yes No

Fire egress Yes No

25mm Add on Yes No

Width _____

Height _____

Mullion _____

Quantity _____

Trickle Vent Yes No

Fire egress Yes No

25mm Add on Yes No

Width _____

Height _____

Mullion _____

Quantity _____

Trickle Vent Yes No

Fire egress Yes No

25mm Add on Yes No

Width _____

Height _____

Mullion _____

Quantity _____

Trickle Vent Yes No

Fire egress Yes No

25mm Add on Yes No

Note: Trickle Vents into a Deep Head Outerframe

*10 Year Guarantee on all moving parts | *25 Year Guarantee on Paint Finish

Company Reg No: 12657992

Vat: 352 656 391