

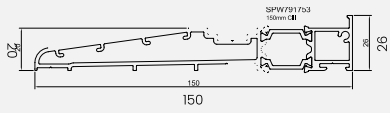
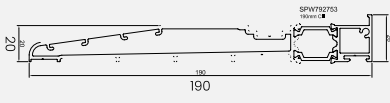
ORDERED BY:	
Company Name:	_____
Address:	_____
Tel No:	_____
Email:	_____
Order No:	Your Ref _____
Delivery Date Request:	_____

SITE CONTACT:	
Company Name:	_____
Delivery Address:	_____
Post Code:	_____
Tel No:	_____

DIMENSIONS
Overall Frame Width mm _____
Overall Frame Height mm _____

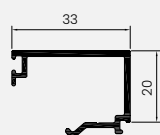
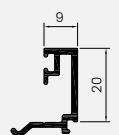
OPENING DIRECTION
Inwards _____
Outwards _____

COLOUR OPTIONS
Standard Lead Times
Single Colours
RAL 9910 Hippca White
RAL 7016 Anthracite Grey Matt
RAL 9005 Black Matt (TBA)
Dual Colour Anthracite Grey/White (TBA)
Extended Lead Times (Any other RAL colour)
Outside RAL No. _____
Inside RAL No. _____
Marine Grade (Coastal Regions)

CILL OPTIONS
Cill requirements included in the overall height
150mm

190mm

No cill required

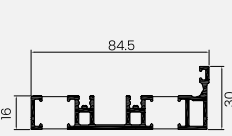
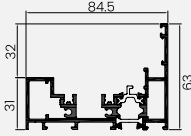
40MM ADD ON
Top _____
Middle _____
Bottom _____

2500MM ² TRICKLE VENT
Trickle Vent through 40mm frame extension
Colour _____
Quantity _____

BEAD OPTIONS	
28mm Square Bead	44mm Triple Glazing Square Bead
	

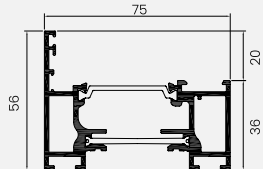
GLAZING OPTIONS
Glazing 28mm Toughened Low E Argon Filled Black Warm Edge Spacer as Standard
Unglazed
28mm Glazing 1.1 U-value
44mm Triple Glazing 0.6 U-value
Laminated 6.8mm outer DOC Q compliant

HARDWARE OPTIONS	
Masterlevel/lever handle D handle +shootbolt	
White	Hinges
Black	Black as standard
Satin	Satin upgrade

THRESHOLD OPTIONS	
	
Low Threshold Weather Tested	Standard Threshold Weather Tested

BLINDS
Manual Cord
Manual Slider
Solar Powered
Electric Powered
Colour _____

FITTER
<ul style="list-style-type: none"> Folder Options (viewed from outside) Minimum pane width size odd number 550mm per pane Minimum pane width size even number 600mm per pane Maximum height for above 2600mm Maximum pane width size 1300mm Maximum height at this width is 2400mm
<div style="display: flex; justify-content: space-around; align-items: center;"> <div style="text-align: center;"> <p>3</p> <p>Total Number of Panes</p> </div> <div style="text-align: center;"> <p>1</p> <p>Number of Panes Folding Left</p> </div> <div style="text-align: center;"> <p>2</p> <p>Number of Panes Folding Right</p> </div> </div>

THRESHOLD OPTIONS


Internal Bi Fold
If internal no drainage required

SKETCH YOUR DOOR					
o = Fixmo x = Sliding					

NOTES:
PART L - It is your responsibility to order the correct Glazing Specification which is specific to your project to meet current building regulations.
PART F AND O - It is your responsibility to order the correct number of Trickle vents which will give the required room ventilation to each finished product to meet current building regulations.