

# Flat Fixed Rooflight

## Standard Stock Size 1000 x 1000mm

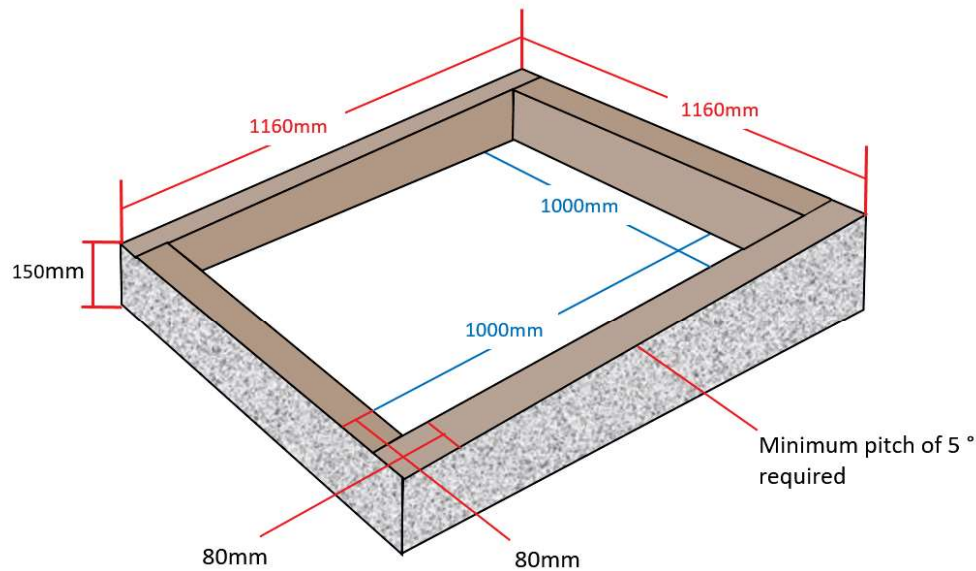
(All our sizes are internal timber to timber)

### Kerb/Upstand Sizes (by others)

**Internal Kerb Upstand** Size 1000mm x 1000mm

**External Kerb/Upstand** Size 1160mm x 1160mm

**Kerb/Upstand thickness 80mm (including weathering)**



### Fixed Rooflight Sizes

**Internal Opening Size** 1000mm x 1000mm

**External Frame Size** 1181mm x 1181mm

**Frame Height** 119mm

